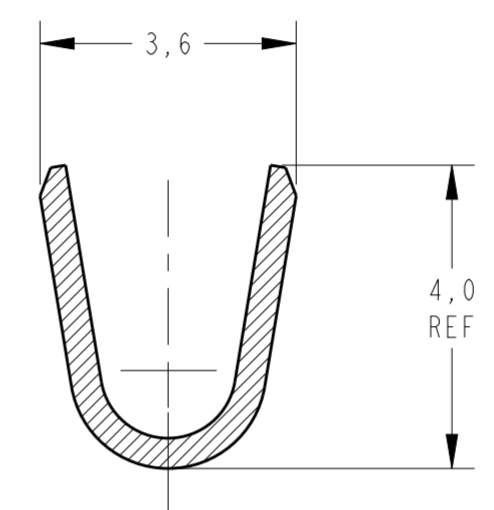
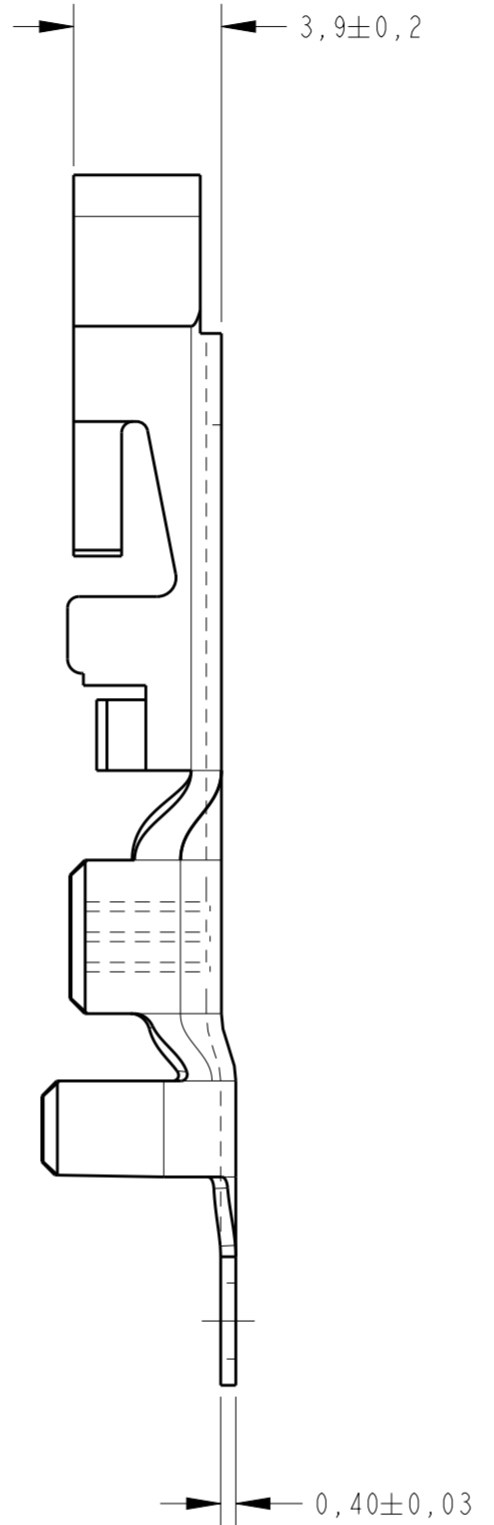
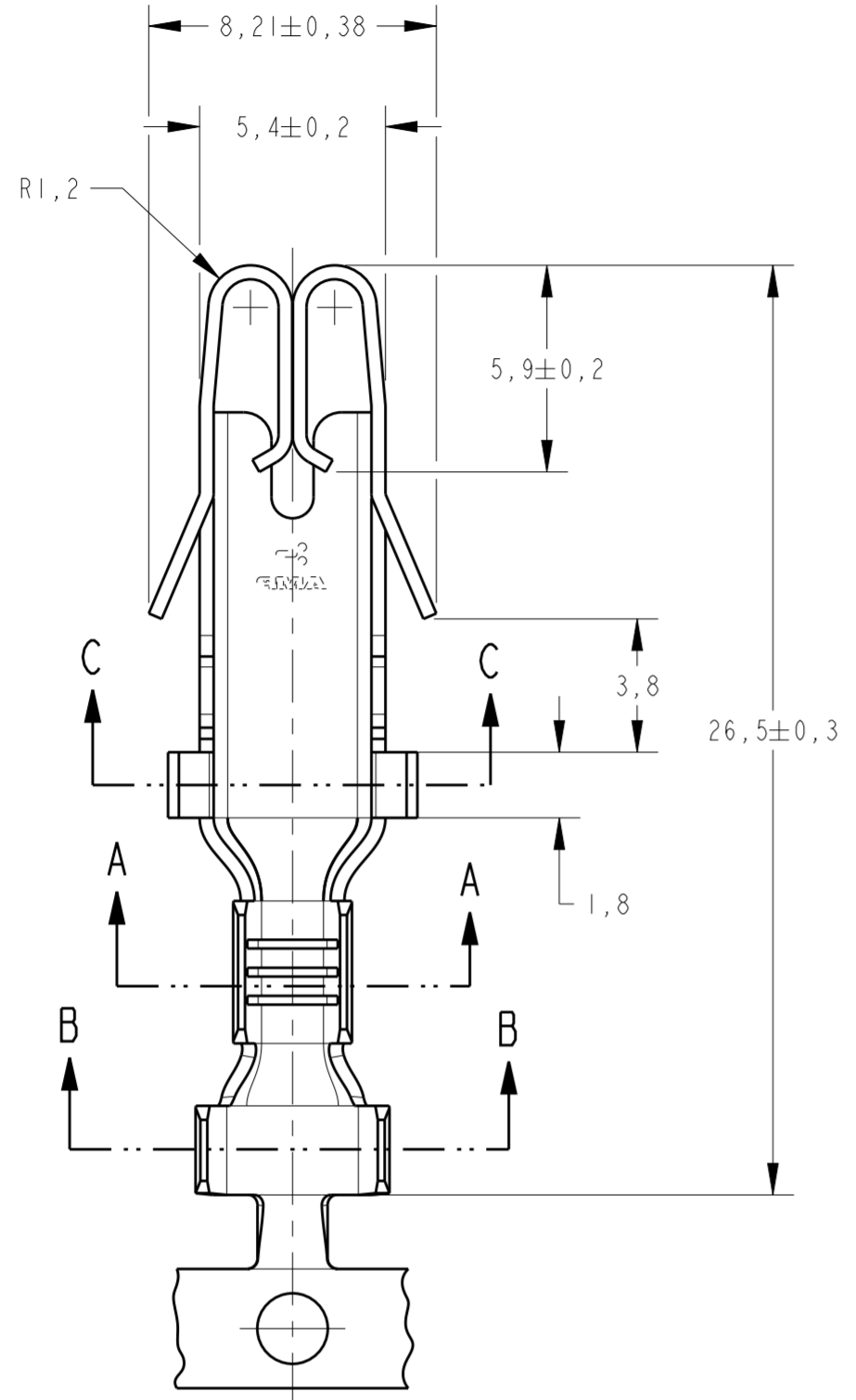


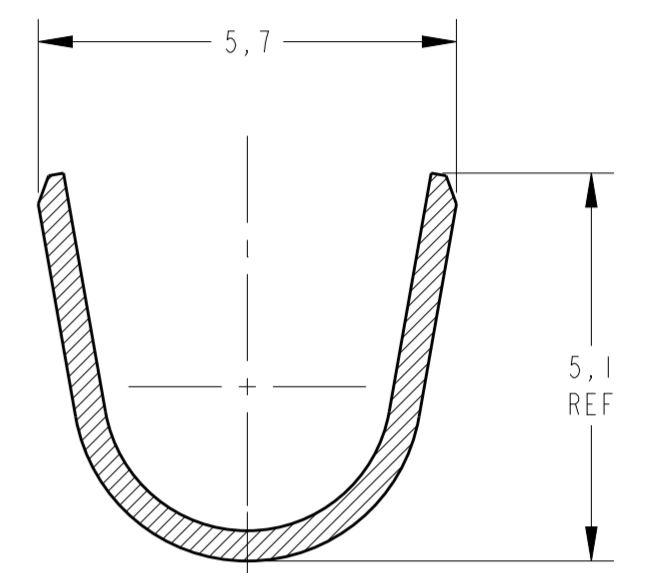
THIS DRAWING IS UNPUBLISHED. RELEASED FOR PUBLICATION 20
 © COPYRIGHT 20 BY - ALL RIGHTS RESERVED.

creo
 Creo Parametric 2.0
**DO NOT REVISE
 EXCEPT BY CAD**

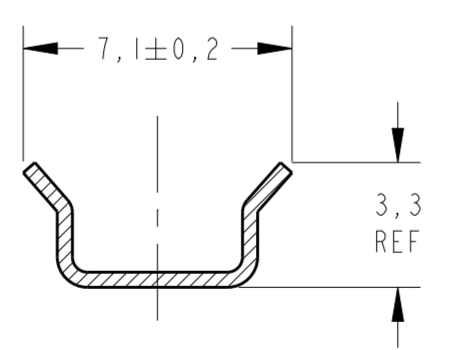
REVISIONS					
P	LTR	DESCRIPTION	DATE	DWN	APVD
K		REDRAW BY CAD ECO-14-013531	08SEP2014	NCL	LWP
L		REVISED DRAWING ECO-14-019222	27APR2015	NCL	GOJ



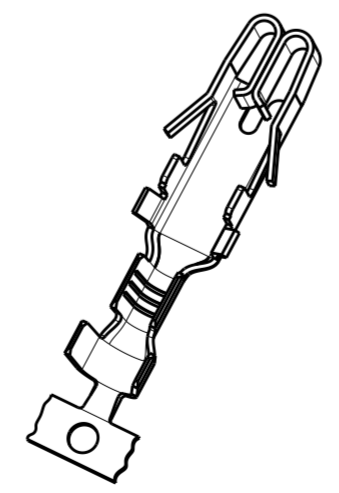
SECTION A-A
 SCALE 10:1



SECTION B-B
 SCALE 10:1



SECTION C-C



PERSPECTIVE VIEW
 SCALE 2:1

WIRE RANGE >1,0-2,5mm ²	PRE-ESTANHADO / PRE TINNED ---	LATÃO / BRASS	880398-2
INSUL RANGE Ø 2,3-3,5mm	FINISH	LATÃO / BRASS	880398-1
THIS DRAWING IS A CONTROLLED DOCUMENT.		MATERIAL	PART NUMBER
DWN: NCLAPRESA 15 JAN 2013 CHK: JRGOLDSCHMIDT 15 JAN 2013 APVD: DAOLIVEIRA 15 JAN 2013		STE TE Connectivity	
NAME: -			
DIMENSIONS: mm		PRODUCT SPEC: -	
TOLERANCES UNLESS OTHERWISE SPECIFIED:		APPLICATION SPEC: -	
0 PLC ± 1 PLC ±0,5 2 PLC ± 3 PLC ± 4 PLC ±		WEIGHT: -	
ANGLES ±1°		SIZE: A2	
FINISH: -		CAGE CODE: 00779	
MATERIAL: SEE TABLE		DRAWING NO: C-880398	
FINISH: -		RESTRICTED TO: -	
Customer Drawing			
SCALE: 2:1		SHEET 5:1 OF 1	